

**CORALIFE®**

# ***AQUALIGHT PRO™***

**PROFESSIONAL SERIES**

# **INSTRUCTIONS**

53502

53504

53506

53510

**Please read these instructions  
in their entirety before attempting  
to use this unit.**



**PRO SERIES**

**AQUALIGHT PRO™**

# IMPORTANT SAFETY INSTRUCTIONS

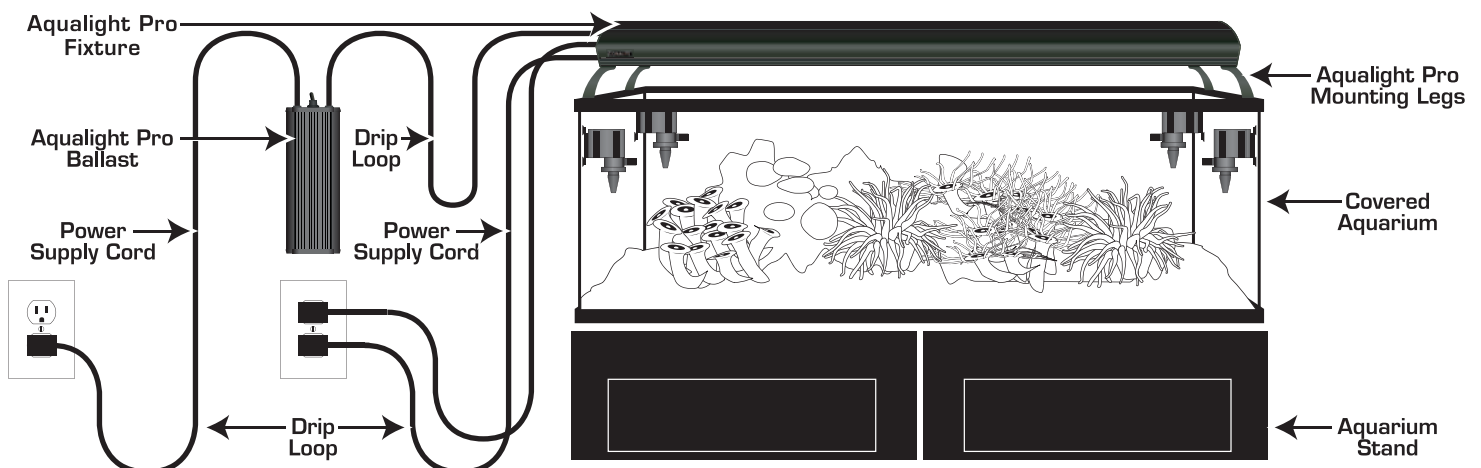
**WARNING** - To guard against injury, basic safety precautions should be observed, including the following:

a) **READ AND FOLLOW ALL SAFETY INSTRUCTIONS.**

b) **DANGER** - To avoid possible electric shock, special care should be taken since water is employed in the use of aquarium equipment. For each of the following situations, do not attempt repairs by yourself; return the appliance to an authorized service facility for service or discard the appliance:

- 1) If the appliance falls into the water, **DON'T** reach for it! First unplug it and then retrieve it. If electrical components of the appliance get wet, unplug the appliance immediately. (Non-immersible equipment only)
- 2) If the appliance shows any sign of abnormal water leakage, immediately unplug it from the power source. (Immersible equipment only)
- 3) Carefully examine the appliance after installation. It should not be plugged in if there is water on parts not intended to be wet.
- 4) Do not operate any appliance if it has a damaged cord or plug, or if it is malfunctioning or has been dropped or damaged in any manner.
- 5) To avoid the possibility of the appliance plug or receptacle getting wet, position aquarium stand and tank to one side of a wall-mounted receptacle to prevent water from dripping onto the receptacle or plug. A "drip loop," shown in the figure below, should be arranged by the user for each cord connecting an aquarium appliance to a receptacle. The "drip loop" is that part of the cord below the level of the receptacle, or the connector if an extension cord is used, to prevent water traveling along the cord and coming in contact with the receptacle.

If the plug or receptacle does get wet, **DON'T** unplug the cord. Disconnect the fuse or circuit breaker that supplies power to the appliance. Then, unplug and examine for presence of water in the receptacle.





**PRO SERIES**

**AQUALIGHT PRO™**

# **IMPORTANT SAFETY INSTRUCTIONS**

- c) Close supervision is necessary when any appliance is used by or near children.
- d) To avoid injury, do not contact moving parts or hot parts such as heaters, reflectors, lamp bulbs, and the like.
- e) Always unplug an appliance from an outlet when not in use, before putting on or taking off parts, and before cleaning. Never yank cord to pull plug from outlet. Grasp the plug and pull to disconnect.
- f) Do not use an appliance for other than intended use. The use of attachments not recommended or sold by the appliance manufacturer may cause an unsafe condition.
- g) Do not install or store the appliance where it will be exposed to the weather or to temperatures below freezing.
- h) Make sure an appliance mounted on a tank is securely installed before operating it.
- i) Read and observe all the important notices on the appliance.
- j) If an extension cord is necessary, a cord with a proper rating should be used. A cord rated for less amperes or watts than the appliance rating may overheat. Care should be taken to arrange the cord so that it will not be tripped over or pulled.
- k) To prevent corrosion or deterioration of materials that could lead to electric shock, do not allow contact with saltwater.
- l) This fixture is for use over covered aquariums only.
- m) Do not install the fixture inside a canopy or enclosure covering the unit.
- n) Use Aqualight mounting legs (included) to place Aqualight fixture over a covered aquarium.
- o) For added safety, the fixture must be plugged into a receptacle controlled by a GFI (ground fault interrupter) circuit breaker. Device must be properly connected to a grounded three-prong receptacle.

## **SAVE THESE INSTRUCTIONS!**



## INSTALLATION SETUP

### IMPORTANT

1. Make sure to read and follow instructions in their entirety before plugging the fixture into an outlet or power source.

**NOTE:** The fixture must be properly plugged into a grounded three-prong receptacle. If a grounded outlet is not available, provide grounding means.

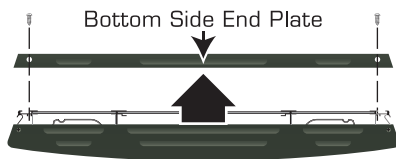
2. Do not remove high-heat silicon retaining bands from lamp clips. These bands are designed to withstand high heat and hold lamps securely in place during operation.

### FIXTURE SETUP

#### MOUNTING LEGS INSTALLATION

**SAFETY:** Turn off all switches and unplug all power cords from power outlet(s).

1. Place the fixture on a non-abrasive flat surface with the bottom facing up.
2. Using a Phillips screw driver, unscrew the bottom side end plate. (3.0)



**NOTE:** Bottom side end plate is located at the end of the fixture opposite the power switches.

3. Locate bottom track and align Aqualight Pro mounting legs onto the track. (3.1)

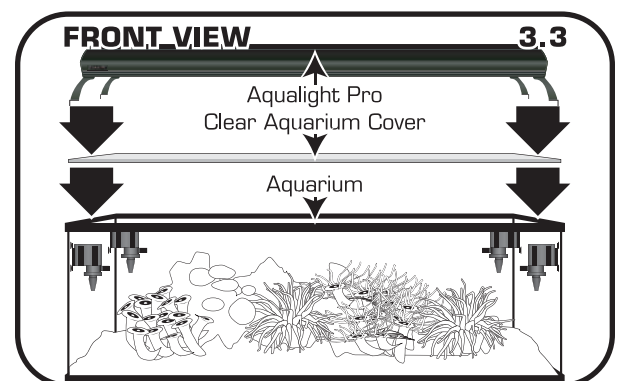
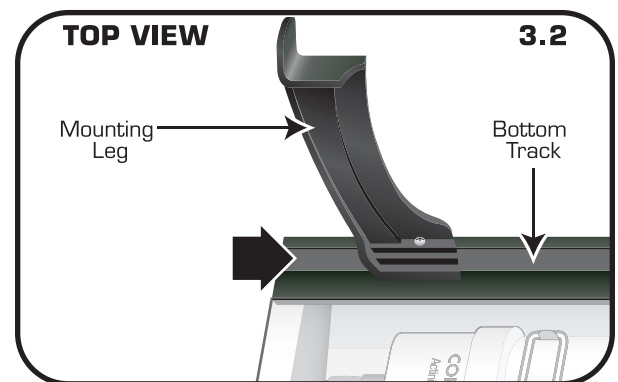
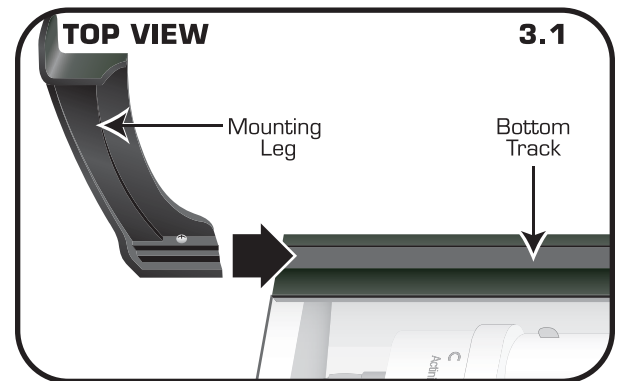
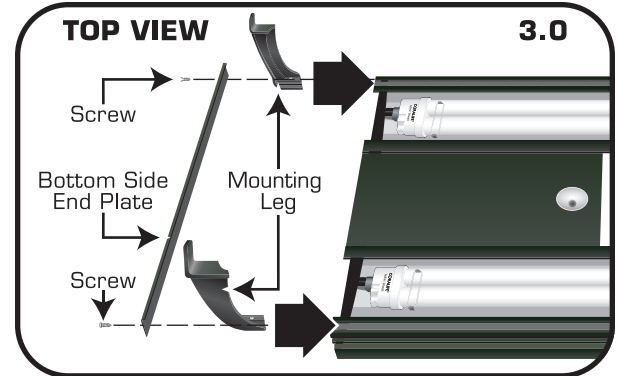
**NOTE:** Place curved edge of the mounting legs facing the end of the fixture.

4. Slide mounting legs onto the fixture to desired position. (3.2)
5. Place mounting legs at each end of the fixture.
6. Replace bottom side end plate.

#### FIXTURE INSTALLATION

1. Place clear aquarium cover onto aquarium. (3.3)
2. Lift and set the fixture on top of the covered aquarium. Position the mounting legs so that they lay flush against the sides of the aquarium. (3.3)

**NOTE:** Make sure to set Aqualight fixture with installed mounting legs on top of clear aquarium cover so that the lamps provide maximum exposure of beneficial light to all aquarium inhabitants and plants.





INSTALLATION SETUP

BALLAST SETUP

FIXTURE AND HQI BALLAST CONNECTION

**SAFETY:** Turn off all switches and unplug all power cords from power outlet(s).

1. Locate double-ended HQI metal halide lamp connector from the unit. (4.0)
2. Make sure that the double-ended HQI metal halide ballast is unplugged and switch is in the off position.
3. Align the double-ended HQI metal halide lamp connectors with the double-ended HQI metal halide ballast connectors. (4.1)
4. Attach the double-ended HQI metal halide lamp connector male pins with the double-ended HQI metal halide ballast connector female pin inlets.

**IMPORTANT:** Make sure that the lamp connectors are fully seated into the ballast connectors. (4.2)

BALLAST MOUNTING INSTALLATION (OPTIONAL)

1. Slide out ballast-mounting bracket. (4.3)
2. Place metal washer between screw and ballast mounting bracket. Tighten screw until secure (mounting hardware not included).

AQUALIGHT MODELS

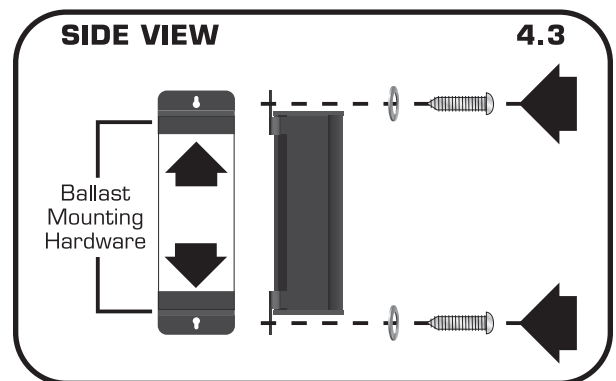
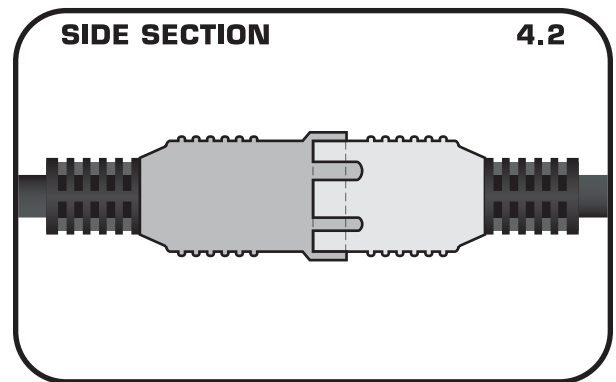
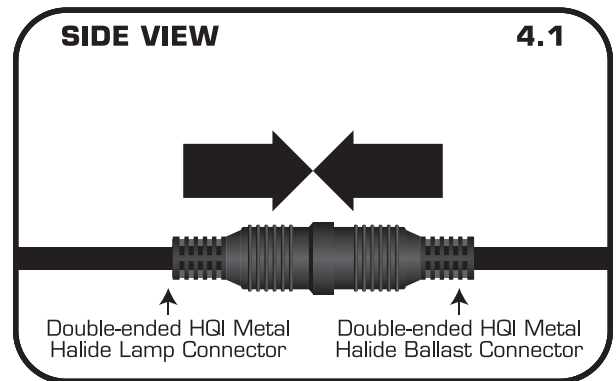
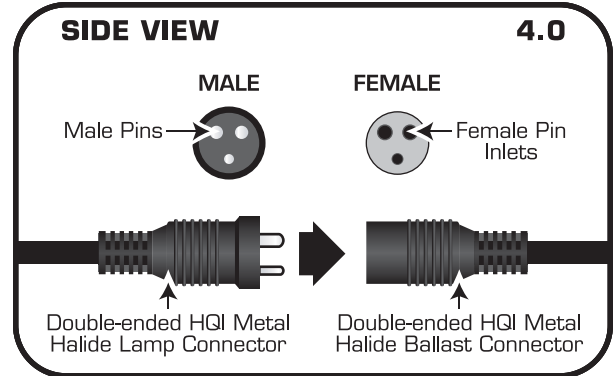
Aqualight fixtures are available for Freshwater, Marine and Reef aquariums in a variety of lengths and sizes. The Aqualight fixture should span the full length of the aquarium, with the Aqualight Mounting Legs resting on each of the aquarium side panels.

**EXAMPLE:** For a 75 gallon aquarium that is 48 inches long, a 48 inch Aqualight Pro should be used. For a complete listing of sizes and types of Aqualights available, visit our website at [esuweb.com](http://esuweb.com)

**MINIMUM AQUARIUM WIDTH:** 18"W

**MAXIMUM AQUARIUM DIMENSIONS FOR USE WITH AQUALIGHT PRO FIXTURE:**

MODEL	AQUALIGHT FIXTURE	AQUARIUM
ITEM NO.	DIMENSIONS (L" X W" X H") INCHES	DIMENSIONS (L" X W" X H") INCHES
53502	24" x 15" x 2.75"	24" x 24" x 24"
53504	36" x 15" x 2.75"	36" x 24" x 24"
53506	48" x 15" x 2.75"	48" x 24" x 24"
53510	72" x 15" x 2.75"	72" x 24" x 24"





**GROUNDING**

**GROUNDING SETUP**

This appliance should be grounded to minimize the possibility of electric shock. This appliance is equipped with an electric cord having an equipment grounding conductor and a grounding type plug. The plug must be plugged into an outlet that is installed and grounded in accordance with all appropriate codes and ordinances.

This appliance is for use on a nominal 120-volt circuit, and has a grounding plug that looks like the plug illustrated in (5.0).

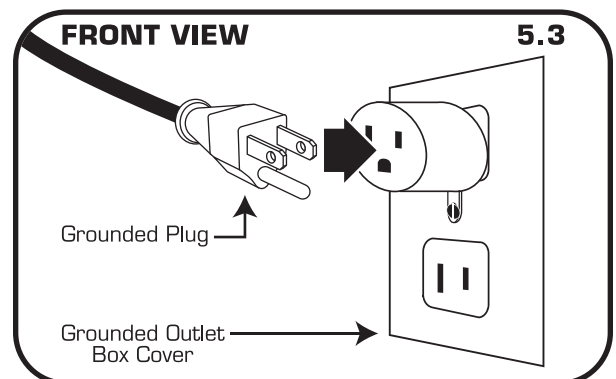
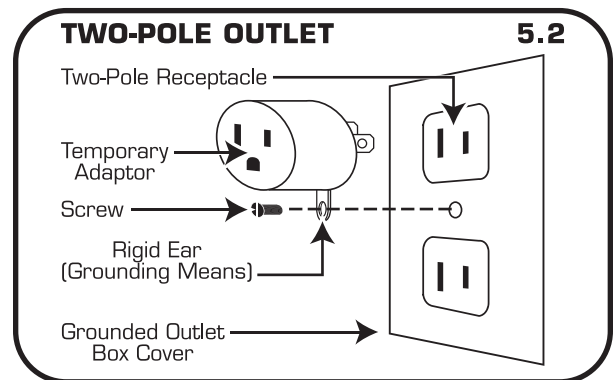
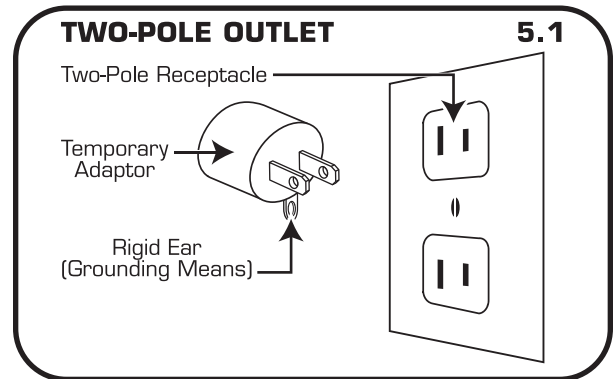
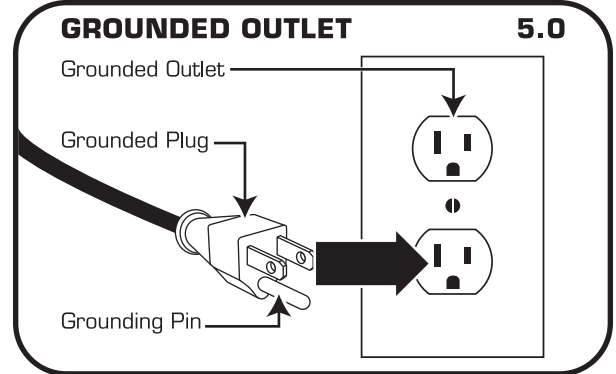
A temporary adaptor which looks like the adapter illustrated in (5.1) may be used to connect this plug to a two-pole receptacle as shown in (5.1) if a grounded outlet is not available.

The temporary adaptor should be used only until a grounded outlet can be installed by a qualified electrician.

**GROUNDING INSTALLATION**

The green-colored rigid ear (screw, and the like) extending from the adaptor must be fastened to a permanent ground such as a grounded outlet box.

1. Plug temporary adaptor into two-pole outlet. (5.2)
2. Insert screw through rigid ear on temporary adaptor and into grounded outlet box. (5.2)





## OPERATION

### PRE-OPERATION SETUP

1. Make sure fixture is securely positioned on the covered aquarium.
2. Make sure that the double-ended HQI metal halide lamp connectors are fully seated into the double-ended HQI metal halide ballast(s).
3. Make sure that switch(es) are in the off position before plugging in grounded plug(s) to a power source.

### START-UP OPERATION

1. Plug grounded plug(s) into a grounded outlet or power source and turn switch(es) to the on position.

**NOTE:** It may take up to 5-10 minutes for double-ended HQI metal halide lamp(s) to reach maximum light intensity.

**CAUTION:** When the double-ended HQI metal halide ballast(s) are turned off, wait until the double-ended HQI metal halide lamp(s) has completely cooled, before turning the ballast(s) back on.

2. Verify that all lamps are lit and functioning properly.
3. Make sure that the cooling fan(s) are on and blowing into the fixture.

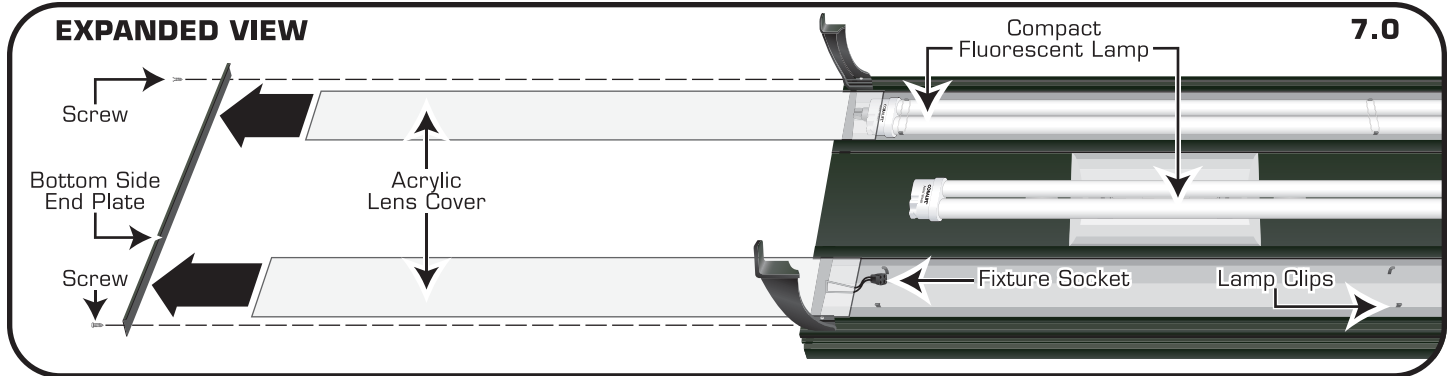
## TROUBLESHOOTING

1. Double-ended HQI metal halide lamp will not light.
  - a. Allow 5-10 minutes for the lamp to reach full intensity
  - b. Ballast switch is not on
  - c. Power cord is not plugged into power source
  - d. Connection between ballast and lamp connector is not secure
  - e. Lamp is not fully seated into lamp socket
  - f. GFI circuit is tripped
2. Double-ended HQI metal halide lamp color changes
  - a. HQI lamps need at least 100 hours of initial operation to attain proper coloration.
3. Compact Fluorescent Lamps will not light
  - a. Switch is not on
  - b. Power cord is not plugged into power source
  - c. Lamp is not fully seated into lamp socket
  - d. GFI circuit is tripped
4. Lunar blue-moon-glow LED will not light
  - a. Switch is not on
  - b. Power cord is not plugged into power source
  - c. GFI circuit is tripped
5. Cooling fan is not working
  - a. Ballast switch is not on
  - b. Ballast power cord is not plugged into power source
  - c. Connection between ballast and lamp connector is not secure
  - e. GFI circuit is tripped



## MAINTENANCE

### FIXTURE DIAGRAM



**SAFETY:** Turn off switch(es) and unplug power cord(s) from outlet or power source before performing maintenance.

**CAUTION:** Let the unit cool down before handling.

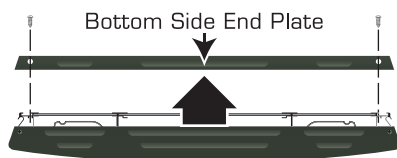
### FIXTURE MAINTENANCE

1. Clean fixture with dry cloth only.

**NOTE:** This fixture has no user serviceable parts. Contact dealer for repair services.

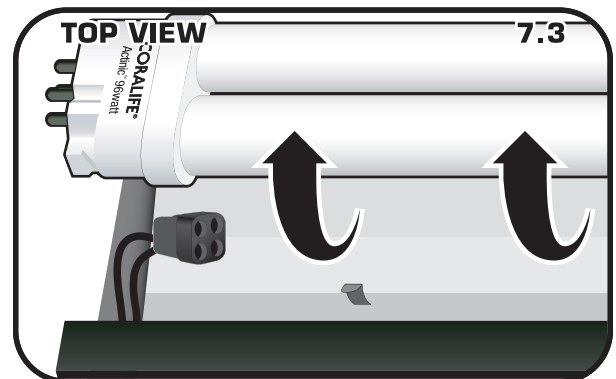
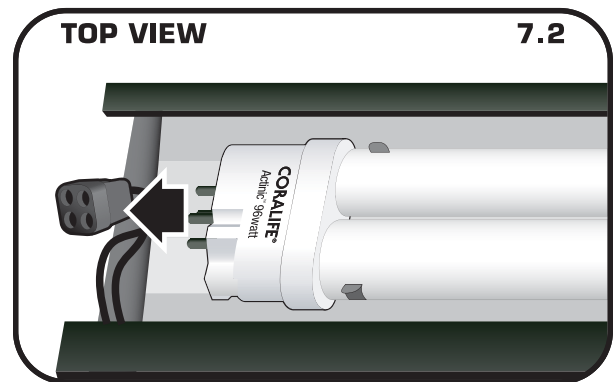
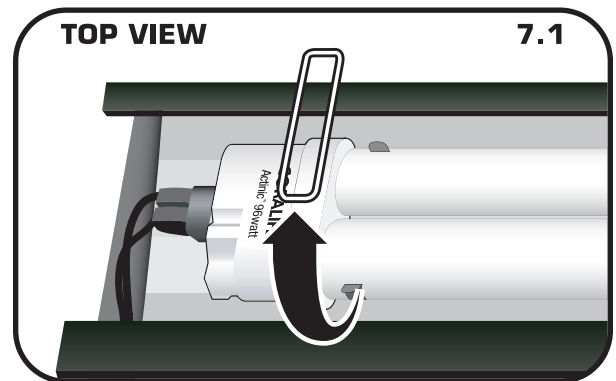
### COMPACT FLUORESCENT LAMP REPLACEMENT

1. Lift fixture from aquarium and place on a non-abrassive flat surface with the bottom facing up.
2. Using a Phillips screw driver, unscrew the bottom side end plate. [7.0]



**NOTE:** Bottom side end plate is located at the end of the fixture opposite the power switches.

3. Slide the acrylic lens cover off the fixture. [7.0]
4. Carefully remove the high-heat silicon retaining bands from the lamp clips. [7.1]
5. Unplug compact fluorescent lamp base from the fixture socket. [7.2]
6. Hold both ends of the lamp and lift one side at an angle to detach the lamp from the lamp clips. [7.3]
7. Carefully install replacement compact fluorescent lamp and replace light fixture parts.

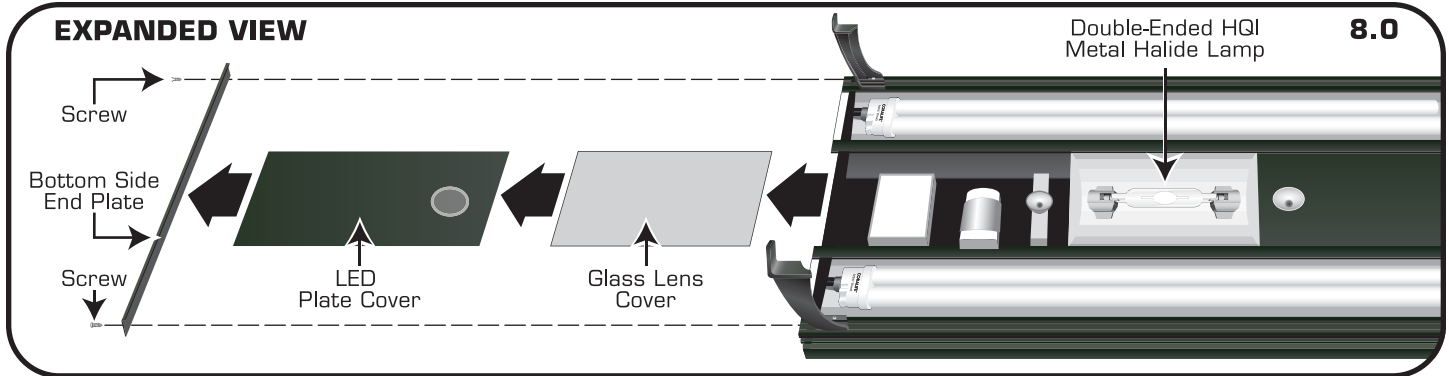






MAINTENANCE

FIXTURE DIAGRAM

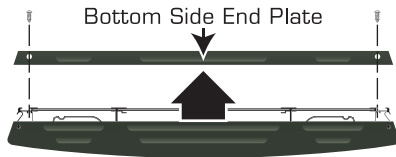


**SAFETY:** Turn off switch(es) and unplug power cord(s) from outlet or power source before performing maintenance.

**CAUTION:** Let the unit cool down before handling.

DOUBLE-ENDED HQI METAL HALIDE LAMP REPLACEMENT

1. Lift fixture from aquarium and place on a non-abrassive flat surface with the bottom facing up.
2. Using a Phillips screw driver, unscrew the bottom side end plate. (8.0)

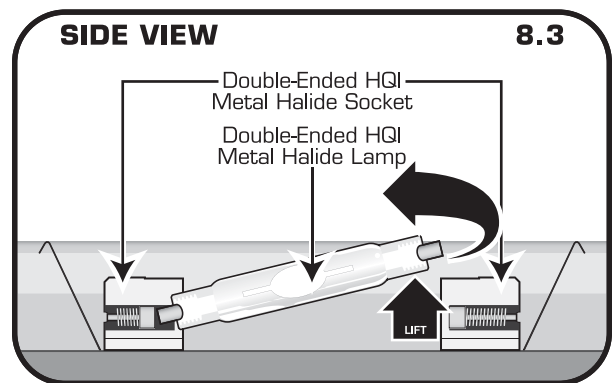
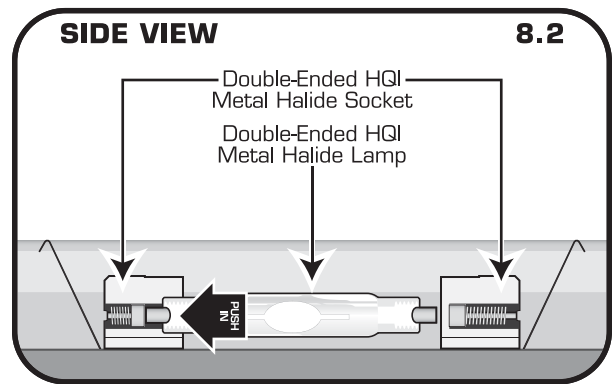
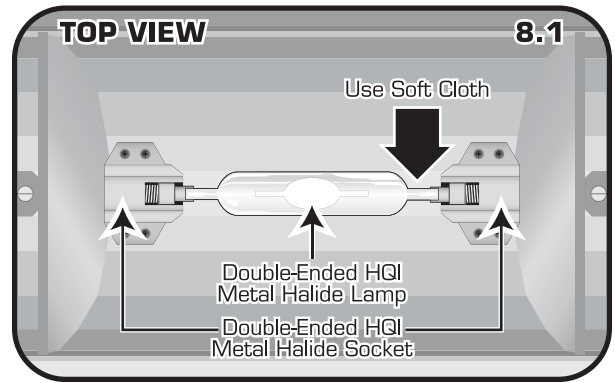


**NOTE:** Bottom side end plate is located at the end of the fixture opposite the power switches.

3. Slide the LED plate cover and glass lens cover off the fixture. (8.0)
4. Using a soft cloth, firmly hold one end of the lamp. (8.1)

**WARNING:** Do not touch double-ended HQI metal halide lamp with fingers as the oils will damage the lamp. If contact is made with lamp, use a clean, soft, dry cloth to remove any fingerprints from the lamp before use

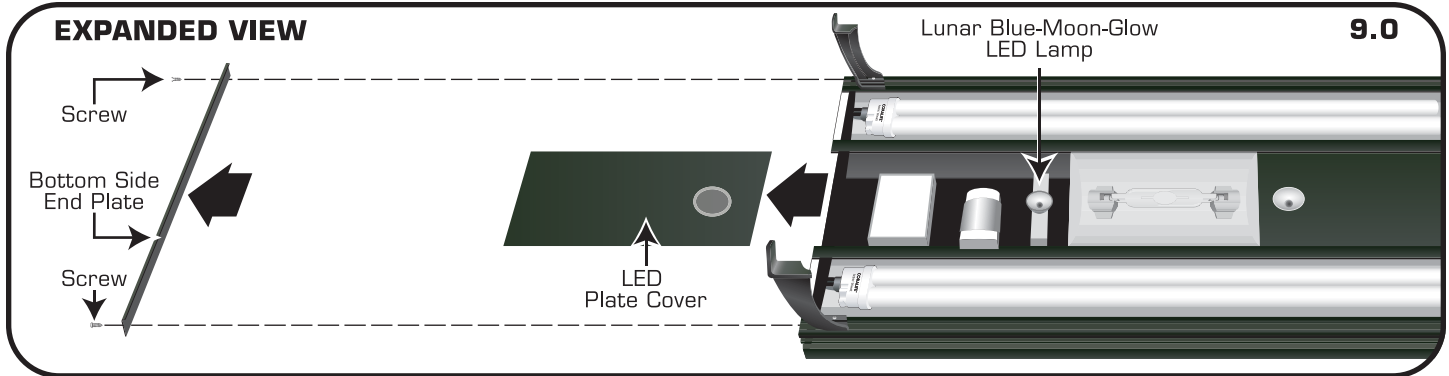
5. Push the lamp into the opposite end to free one side of the lamp from the double-ended HQI metal halide socket. (8.2)
6. Gently lift the free end of the lamp at an angle and remove the double-ended HQI metal halide lamp from the double-ended HQI metal halide socket. (8.3).
7. Carefully install replacement double-ended HQI Metal Halide lamp using a soft cloth and replace light fixture parts.





MAINTENANCE

FIXTURE DIAGRAM

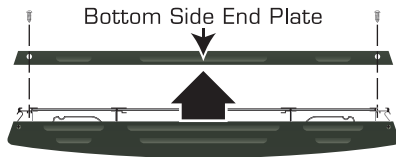


**SAFETY:** Turn off switch(es) and unplug power cord(s) from outlet or power source before performing maintenance.

**CAUTION:** Let the unit cool down before handling.

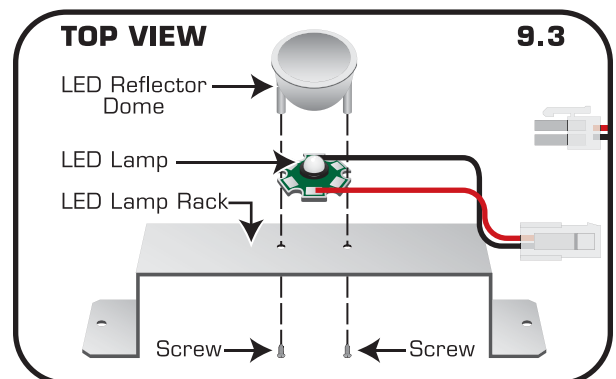
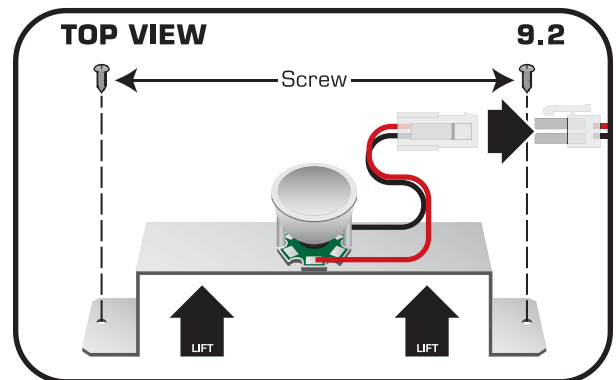
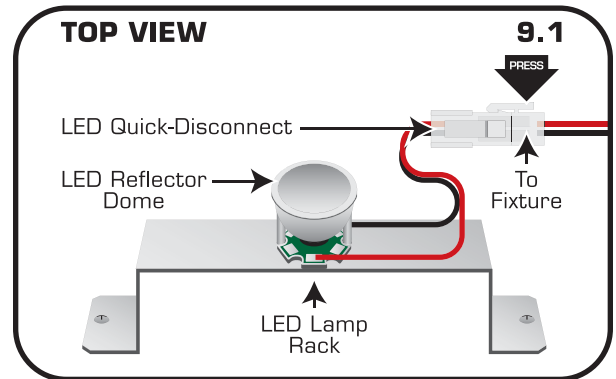
LUNAR BLUE-MOON-GLOW LED LAMP REPLACEMENT

1. Lift fixture from aquarium and place on a non-abrassive flat surface with the bottom facing up.
2. Using a Phillips screw driver, unscrew the bottom side end plate. (9.0)



**NOTE:** Bottom side end plate is located at the end of the fixture opposite the power switches.

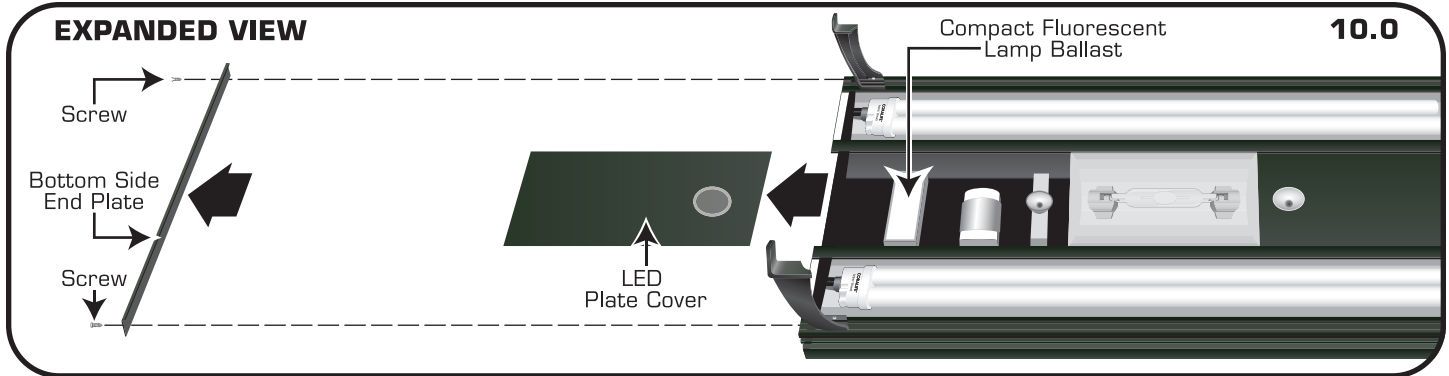
3. Slide the LED plate cover off the fixture. (9.0)
4. Locate LED lamp quick-disconnect wire running from the LED lamp rack quick-disconnect connected to the fixture. Press down on the quick-disconnect to release the LED wire from the fixture wire. (9.1)
5. Using a Phillips screw driver, unscrew LED lamp rack and remove from the fixture. (9.2)
6. Using a mini Phillips screw driver, unscrew and remove the LED reflector dome from the lamp rack. (9.3)
7. Remove the LED lamp with quick-disconnect wire from the lamp rack.
8. Carefully install replacement LED lamp and replace light fixture parts.





MAINTENANCE

FIXTURE DIAGRAM

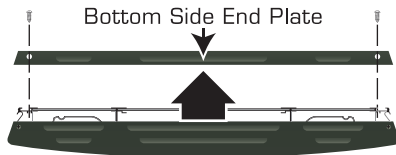


**SAFETY:** Turn off switch(es) and unplug power cord(s) from outlet or power source before performing maintenance.

**CAUTION:** Let the unit cool down before handling.

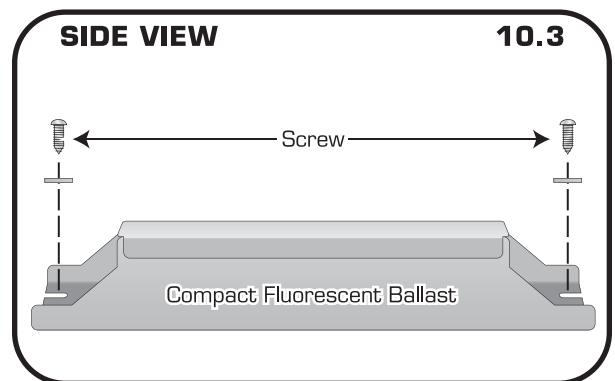
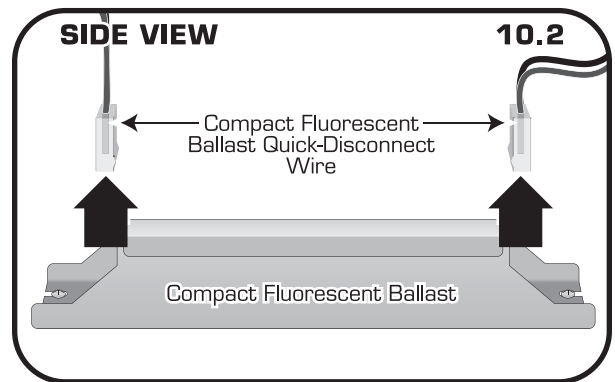
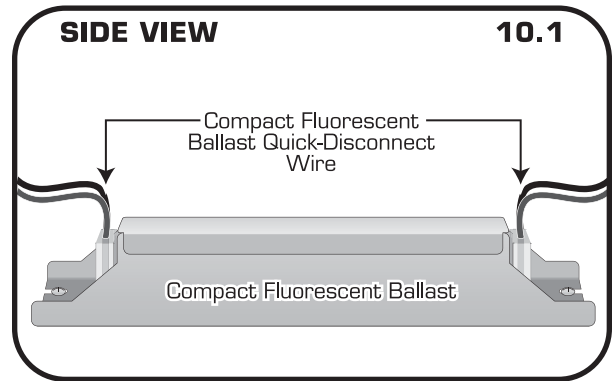
COMPACT FLUORESCENT BALLAST REPLACEMENT

1. Lift fixture from aquarium and place on a non-abrassive flat surface with the bottom facing up.
2. Using a Phillips screw driver, unscrew the bottom side end plate. (10.0)



**NOTE:** Bottom side end plate is located at the end of the fixture opposite the power switches.

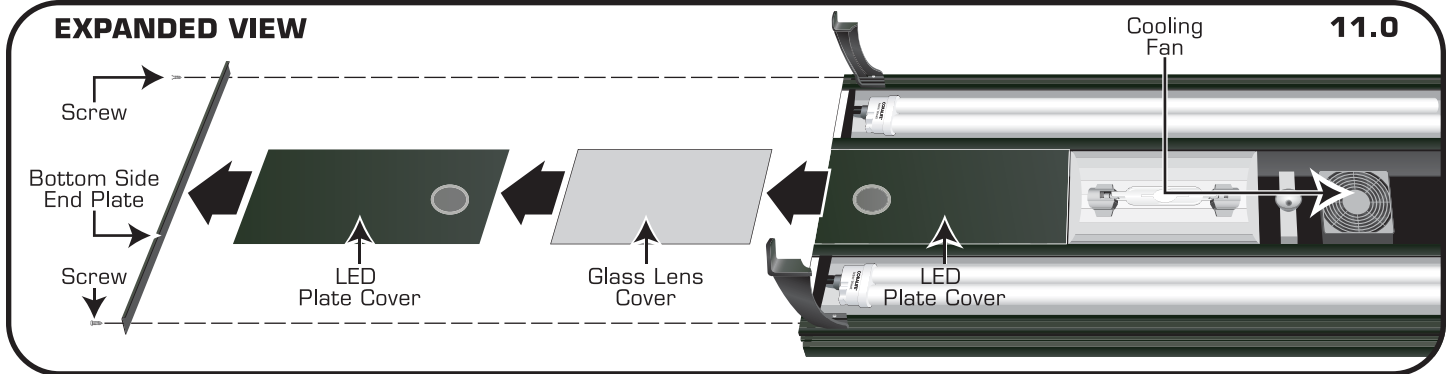
3. Slide the LED plate cover off the fixture. (10.0)
4. Locate compact fluorescent ballast quick-disconnect wire running from the ballast to the fixture. (10.1)
5. Unplug the compact fluorescent ballast quick-disconnect wire from the compact fluorescent ballast. (10.2)
6. Using a Phillips screw driver, remove the ballast screws holding the compact fluorescent ballast and remove the ballast from the fixture. [10.3]
7. Carefully install replacement ballast and replace light fixture parts.





## MAINTENANCE

### FIXTURE DIAGRAM

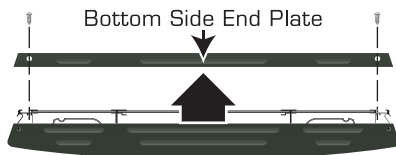


**SAFETY:** Turn off switch(es) and unplug power cord(s) from outlet or power source before performing maintenance.

**CAUTION:** Let the unit cool down before handling.

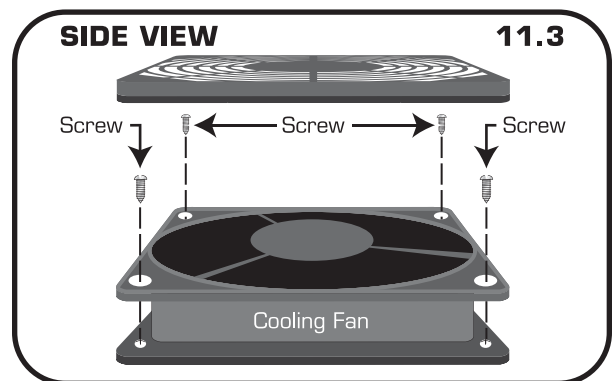
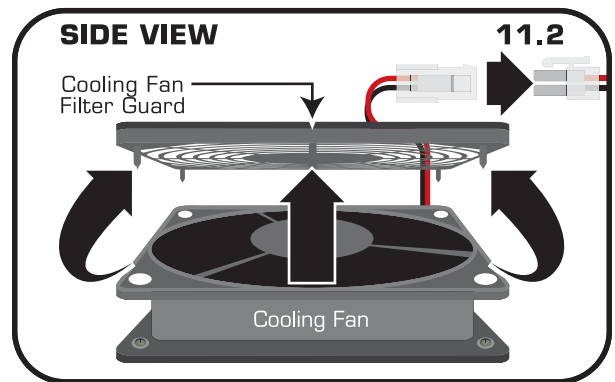
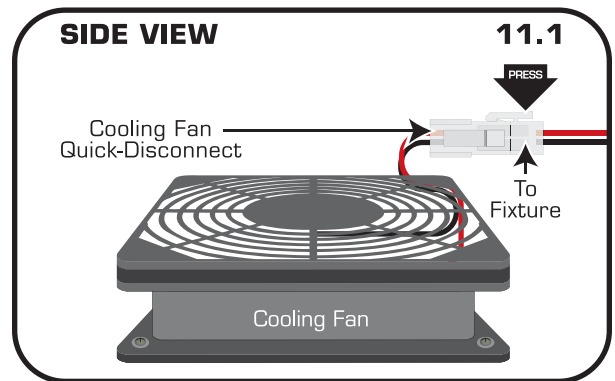
### COOLING FAN REPLACEMENT

1. Lift fixture from aquarium and place on a non-abrassive flat surface with the bottom facing up.
2. Using a Phillips screw driver, unscrew the bottom side end plate. (11.0)



**NOTE:** Bottom side end plate is located at the end of the fixture opposite the power switches.

3. Slide the LED plate cover and glass lens cover off the fixture. (11.0)
4. Locate cooling fan quick-disconnect wire running from the cooling fans to the fixture. Press down on the quick-disconnect to release the cooling fan from the fixture. (11.1)
5. Carefully remove cooling fan filter guard by pulling up on each corner and releasing the filter guard locking pins. (11.2)
6. Using a Phillips screw driver, unscrew the cooling fan from the fixture. (11.3)
7. Carefully install replacement cooling fan and replace light fixture parts.





**PRO SERIES**

**AQUALIGHT PRO™**

**REPLACEMENT PARTS**

ITEM NO.	MODEL	COMPACT FLUORESCENT LAMP			COMPACT FLUORESCENT LAMP BALLAST			COOLING FAN		
		QTY.	ITEM NO.	DESCRIPTION	QTY.	ITEM NO.	DESCRIPTION	QTY.	ITEM NO.	DESCRIPTION
53502	24" AQUALIGHT PRO	2	54086	65W TRUE ACTINIC 03 BLUE 420nm COMPACT FLUORESCENT LAMP - SQUARE PIN BASE	2	53057	65W COMPACT FLUORESCENT LAMP BALLAST	1	53097	AQUALIGHT PRO COOLING FAN
		<b>DOUBLE-ENDED HQI METAL HALIDE LAMP</b>			<b>DOUBLE-ENDED HQI METAL HALIDE BALLAST</b>			<b>LUNAR BLUE-MOON-GLOW LED LAMP</b>		
		QTY.	ITEM NO.	DESCRIPTION	QTY.	ITEM NO.	DESCRIPTION	QTY.	ITEM NO.	DESCRIPTION
		1	53700	150W 10,000K SUPER DAYLIGHT DOUBLE-ENDED HQI METAL HALIDE LAMP	1	53056	150W DOUBLE-ENDED HQI METAL HALIDE BALLAST	2	53061	1W LUNAR BLUE-MOON-GLOW 470nm LED LAMP

ITEM NO.	MODEL	COMPACT FLUORESCENT LAMP			COMPACT FLUORESCENT LAMP BALLAST			COOLING FAN		
		QTY.	ITEM NO.	DESCRIPTION	QTY.	ITEM NO.	DESCRIPTION	QTY.	ITEM NO.	DESCRIPTION
53504	36" AQUALIGHT PRO	2	54086	65W TRUE ACTINIC 03 BLUE 420nm COMPACT FLUORESCENT LAMP - SQUARE PIN BASE	2	53057	65W COMPACT FLUORESCENT LAMP BALLAST	1	53097	AQUALIGHT PRO COOLING FAN
		<b>DOUBLE-ENDED HQI METAL HALIDE LAMP</b>			<b>DOUBLE-ENDED HQI METAL HALIDE BALLAST</b>			<b>LUNAR BLUE-MOON-GLOW LED LAMP</b>		
		QTY.	ITEM NO.	DESCRIPTION	QTY.	ITEM NO.	DESCRIPTION	QTY.	ITEM NO.	DESCRIPTION
		1	53700	150W 10,000K SUPER DAYLIGHT DOUBLE-ENDED HQI METAL HALIDE LAMP	1	53056	150W DOUBLE-ENDED HQI METAL HALIDE BALLAST	2	53061	1W LUNAR BLUE-MOON-GLOW 470nm LED LAMP

ITEM NO.	MODEL	COMPACT FLUORESCENT LAMP			COMPACT FLUORESCENT LAMP BALLAST			COOLING FAN		
		QTY.	ITEM NO.	DESCRIPTION	QTY.	ITEM NO.	DESCRIPTION	QTY.	ITEM NO.	DESCRIPTION
53506	48" AQUALIGHT PRO	2	54084	96W TRUE ACTINIC 03 BLUE 420nm COMPACT FLUORESCENT LAMP - SQUARE PIN BASE	2	53058	96W COMPACT FLUORESCENT LAMP BALLAST	1	53097	AQUALIGHT PRO COOLING FAN
		<b>DOUBLE-ENDED HQI METAL HALIDE LAMP</b>			<b>DOUBLE-ENDED HQI METAL HALIDE BALLAST</b>			<b>LUNAR BLUE-MOON-GLOW LED LAMP</b>		
		QTY.	ITEM NO.	DESCRIPTION	QTY.	ITEM NO.	DESCRIPTION	QTY.	ITEM NO.	DESCRIPTION
		2	53700	150W 10,000K SUPER DAYLIGHT DOUBLE-ENDED HQI METAL HALIDE LAMP	2	53056	150W DOUBLE-ENDED HQI METAL HALIDE BALLAST	3	53061	1W LUNAR BLUE-MOON-GLOW 470nm LED LAMP

ITEM NO.	MODEL	COMPACT FLUORESCENT LAMP			COMPACT FLUORESCENT LAMP BALLAST			COOLING FAN		
		QTY.	ITEM NO.	DESCRIPTION	QTY.	ITEM NO.	DESCRIPTION	QTY.	ITEM NO.	DESCRIPTION
53510	72" AQUALIGHT PRO	4	54084	96W TRUE ACTINIC 03 BLUE 420nm COMPACT FLUORESCENT LAMP - SQUARE PIN BASE	4	53058	96W COMPACT FLUORESCENT LAMP BALLAST	2	53097	AQUALIGHT PRO COOLING FAN
		<b>DOUBLE-ENDED HQI METAL HALIDE LAMP</b>			<b>DOUBLE-ENDED HQI METAL HALIDE BALLAST</b>			<b>LUNAR BLUE-MOON-GLOW LED LAMP</b>		
		QTY.	ITEM NO.	DESCRIPTION	QTY.	ITEM NO.	DESCRIPTION	QTY.	ITEM NO.	DESCRIPTION
		3	53700	150W 10,000K SUPER DAYLIGHT DOUBLE-ENDED HQI METAL HALIDE LAMP	3	53056	150W DOUBLE-ENDED HQI METAL HALIDE BALLAST	4	53061	1W LUNAR BLUE-MOON-GLOW 470nm LED LAMP

# Energy Savers Unlimited

## 12 Month Limited Warranty

### **WHAT THE WARRANTY COVERS:**

Energy Savers Unlimited (Company) warrants this product (see Exclusions below) to the original purchaser against defective material and workmanship that occurs during normal use for 12 months from the date of original purchase. Company will, at Company's option, either repair or replace same without charge (but no cash refunds will be made).

### **EXCLUSIONS:**

1. Damage resulting from accident, misuse, abuse, lack of reasonable care, subjecting the product to any but the specified electrical service, other than normal and ordinary use of the product, subjecting the product to abnormal working conditions or any other failure not resulting from defects in materials or workmanship.
2. Damage resulting from modification, tampering with or attempted repair by anyone other than the Company.
3. Transfer of product to someone other than the original consumer purchaser.

### **WHAT YOU MUST DO TO ENFORCE WARRANTY:**

1. Contact the Company by mail or telephone: Energy Savers Unlimited 910 E. Sandhill Ave. Carson, CA 90746  
E-mail: info@esuweb.com Tel: (310) 851-8999 or 800-678-8844 Fax: 310-851-8996 to obtain a RETURN AUTHORIZATION NUMBER.

**NOTE:** Be sure to provide contact information when requesting return authorization number.

2. Deliver, mail or ship the product, together with a copy of the original bill of sale to:

**Energy Savers Unlimited  
910 E. Sandhill Ave.  
Carson, CA 90746**

You must pay any postage, shipping charges, insurance costs and other expenses to return the product to Energy Savers Unlimited Carson, CA. However, if the necessary repairs are covered by the warranty, Company will pay the return shipping charges to any destination within the United States or Canada.

### **LIMITATION OF IMPLIED WARRANTIES AND EXCLUSION OF CERTAIN DAMAGES:**

THE COMPANY DISCLAIMS LIABILITY FOR INCIDENTAL AND CONSEQUENTIAL DAMAGES FOR BREACH OF ANY EXPRESS OR IMPLIED WARRANTY, INCLUDING ANY IMPLIED WARRANTY OF MERCHANTABILITY, WITH RESPECT TO THIS PRODUCT. THIS WRITING CONSTITUTES THE ENTIRE AGREEMENT OF THE PARTIES WITH RESPECT TO THE SUBJECT MATTER HEREOF; NO WAIVER OR AMENDMENT SHALL BE VALID UNLESS IN WRITING SIGNED BY THE COMPANY. Some states do not allow the exclusion or limitation of consequential damages, so the above limitation or exclusion may not apply to you.